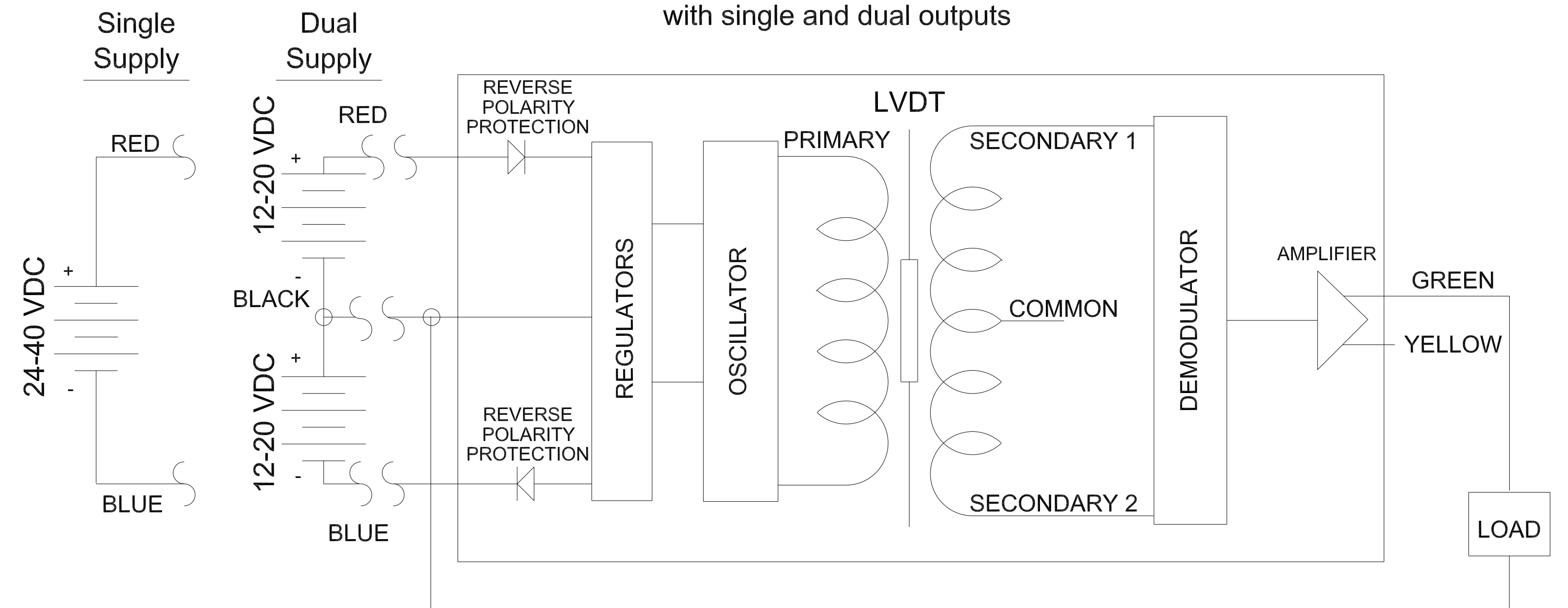
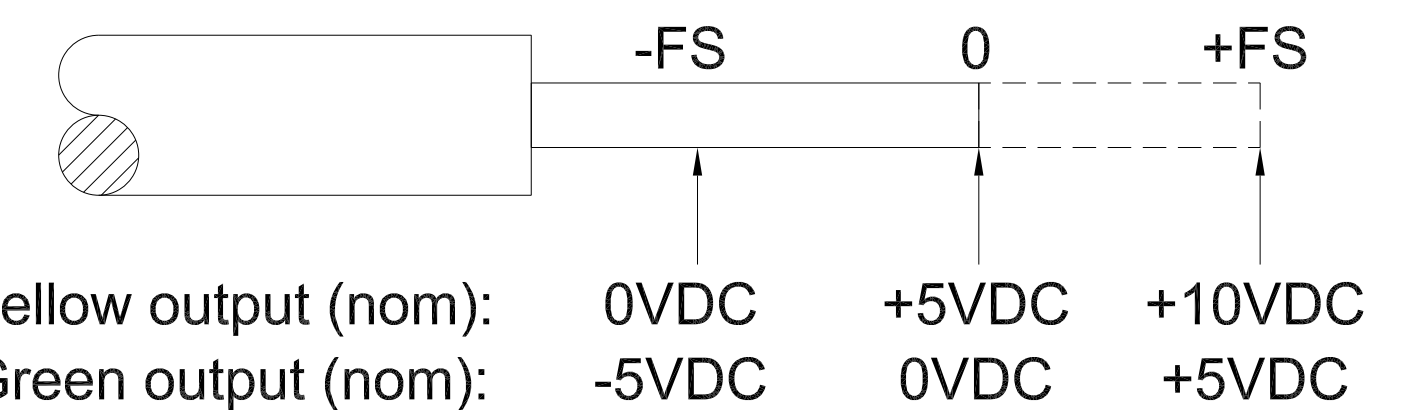


DC/DC LVDT (Single or Dual power supply)
with single and dual outputs



Note: Supply must be fully floating.
Output common floats at Vsupply/2.



COLOR	DESIGNATION
Red	(+)Supply
Blue	(-)Supply
Black	(-)Output common/Supply return
Green	(+)Output (± 5 VDC, min. 10K Ohm load)
Yellow	(+)Output (0-10 VDC, min. 2K Ohm load)
Brown	No connection

SPECIFICATIONS

AVAILABLE RANGES:	SEE TABLE
SUPPLY:	SEE WIRING CODE
SENSITIVITY(NOM):	SEE WIRING CODE
NONLINEARITY:	$\pm .25\%$ F.S.
OPERATING TEMPERATURE:	-50°F TO 160°F
TEMPERATURE EFFECT:	
ON ZERO:	$\pm .005\%$ F.S./ $^{\circ}\text{F}$
ON SPAN:	$\pm .015\%$ F.S./ $^{\circ}\text{F}$
ARMATURE TYPE:	SPRING RETURN
CASE MATERIAL:	STAINLESS STEEL

-05				
-04	$\pm .4$	2.52	1.40	.88
-03	$\pm .3$	2.52	1.40	.70
-02	$\pm .2$	2.52	1.40	.50
060-G201-01	$\pm .1$	2.52	1.40	.45
PART NUMBER	RANGE	"L"	"L2"	"X"

-	INITIAL RELEASE TO PRODUCTION	-	-	-
REV	DESCRIPTION	REV BY	CHK BY	APV BY
DRW: DEITRICK 06/24/2003	CHK: FRESCO 06/25/2003	MFG: N/A	ENG: FRESCO 06/25/2003	

REV HIST	DO NOT SCALE	<p>2080 ARLINGATE LANE COLUMBUS, OHIO 43228 WWW.SENSOTEC.COM</p>
UNLESS OTHERWISE SPECIFIED:	.X	
ALL DIMENSIONS INCHES	.XX	
INTERPRET PER ANSI Y14.5M-1982 & SENSOTEC STD 072-DE73-01	.XXX	
	$\pm .1$	© SENSOTEC, INC. ALL RIGHTS RESERVED
	$\pm .01$	OUTLINE DRAWING, MODEL S3C
	$\pm .005$	CAPTIVE GUIDED SPRING RETURN
	$\pm 1/2'$	CODE IDENT NO. 51518
		DOCUMENT NUMBER 000-G201-00
		SHEET 1 OF 1
		SIZE A

01112-DR