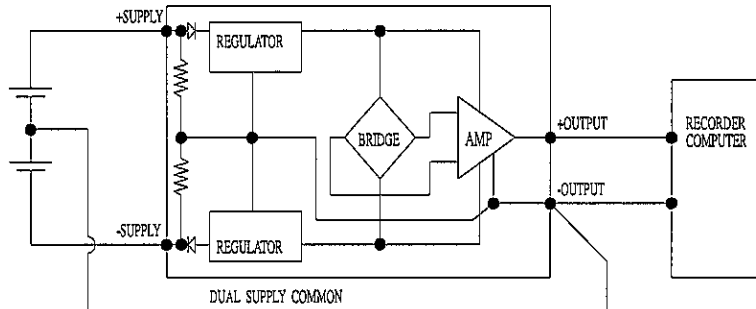


SENSOTEC

2080 Arlingate Lane Columbus, Ohio 43228
 Tel (614) 850-5000 Fax (614) 850-1111

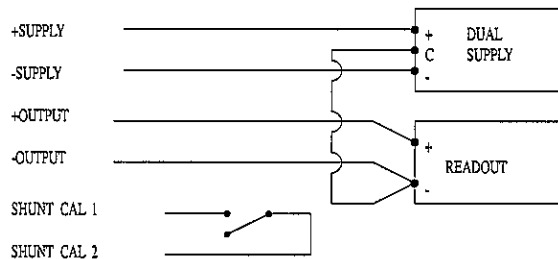
AMPLIFIED TRANSDUCER APPLICATION SHEET FOR CATALOG OPTION 2a AND 2b (BIPOLAR VOLTAGE AMP)



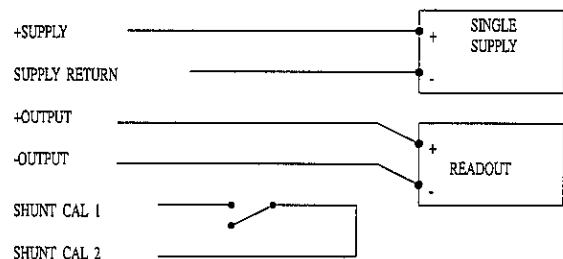
Output Voltage Range:	0-5 or +/- 5 volts
Operating Voltage Range:	26 - 32 VDC or +/- 15 VDC
Operating Current Max:	45 mA
Operating Temperature Range:	-40 to 200 Deg F
Reverse Polarity Protection:	Yes
Short Circuit Protected:	+OUTPUT TO -OUTPUT

WIRING

Wiring for Dual Supply & Readout



Wiring to Single Supply & Readout



SHUN

T CALIBRATION:

To enable the shunt calibration - Connect together the SHUNT CAL 1 and SHUNT CAL 2 Terminals or Wires.

GROUNDING:

Either the -OUTPUT or SUPPLY COMMON can be tied to Earth ground, but not both.

OUTPUT CHARACTERISTICS SINGLE SUPPLY:

Maximum current the output can supply is .25 milliamps.
 The voltage at the -OUTPUT terminal with respect to the SUPPLY RETURN is equal to 1/2 the total supply voltage.
 The -OUTPUT/COMMON Terminal can be tied to Earth ground.

OUTPUT CHARACTERISTICS DUAL SUPPLY:

Maximum current the OUTPUT can supply is 2.5 milliamps.