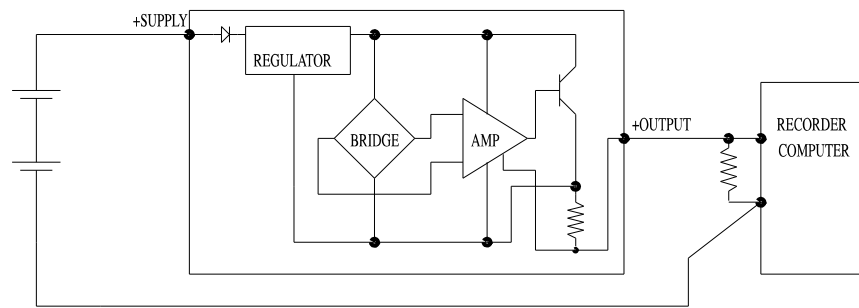




2080 Arlingate Lane Columbus, Ohio 43228
 Tel (614) 850-5000 Fax (614) 850-1111

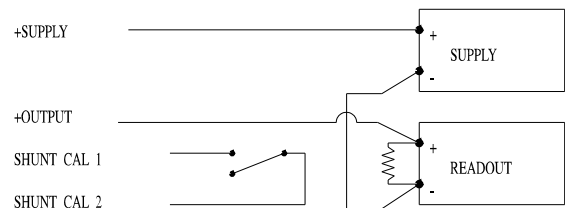
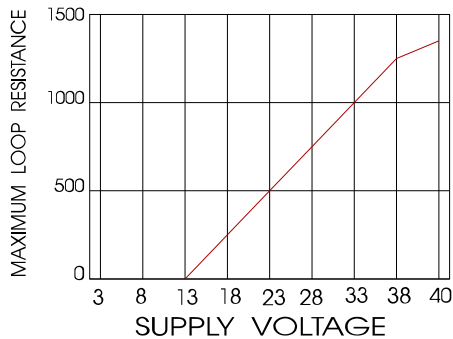
AMPLIFIED TRANSDUCER APPLICATION SHEET FOR CATALOG OPTION
 2k (2-WIRE CURRENT AMP)

Output Range:	4-20 mA 2-WIRE
Operating Voltage Range:	13 - 40 volts DC
Operating current max:	28 mA (OVERRANGE)
Operating Temperature Range:	-40 to 225 Deg F
Reverse Circuit Protected:	Yes



Maximum Loop Resistance

Typical Wiring to Supply & Readout



SHUNT CALIBRATION: (Not available on all Transducers)
 To Enable the Shunt Calibration - Short together the SHUNT CAL 1 and SHUNT CAL 2
 Terminals or wires.

CALIBRATION:
 Using the data from the CERTIFICATION OF CALIBRATION:

$$\text{Full scale OUTPUT} = \text{CALIBRATION FACTOR} + \text{ZERO OUTPUT}$$

$$\text{OUTPUT with shunt cal applied} = \text{SHUNT CAL OUTPUT} + \text{ZERO OUTPUT}$$

$$\text{ZERO OUTPUT} = \text{OUTPUT with zero pressure or load applied.}$$

GROUNDING:
 System is usually tied to Earth ground at the Power Supply Return.