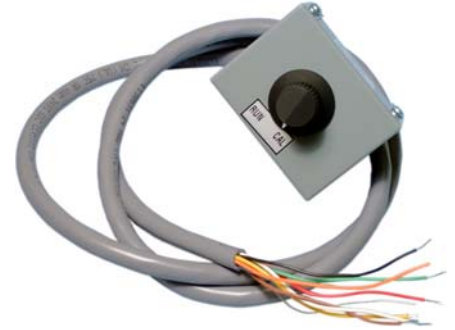
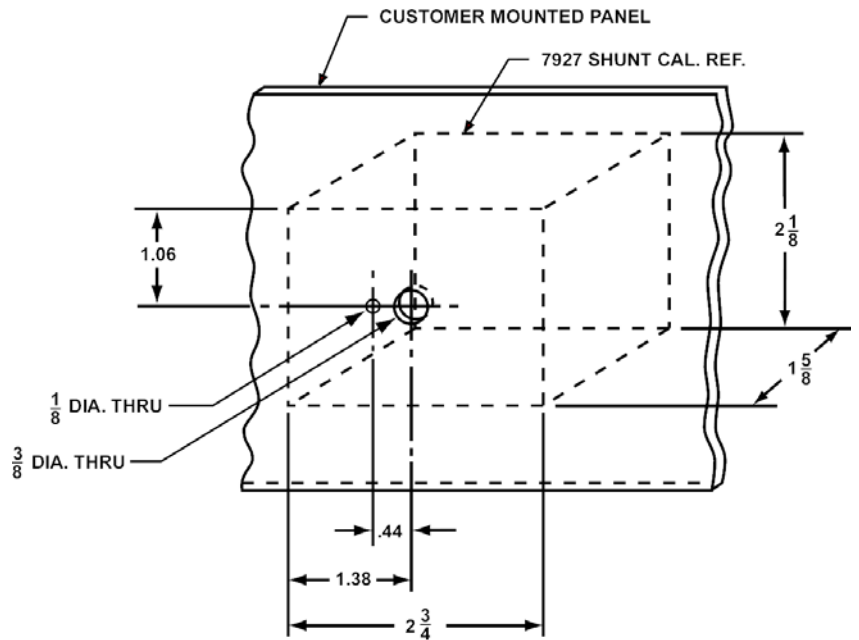
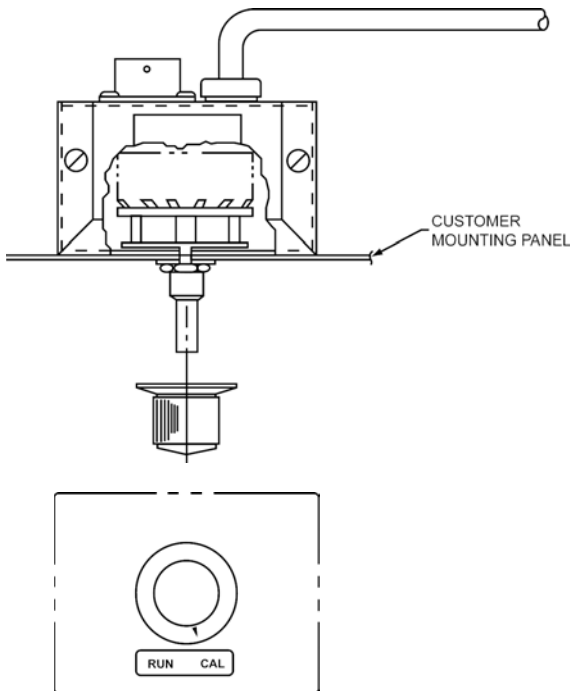


INSTALLATION OF THE MODEL 7927 SHUNT CALIBRATION REFERENCE

The Model 7927 Shunt Calibration Reference is a circuit which provides an excellent means for calibrating a read-out instrument in conjunction with a Lebow Model 1800 Series Torque Transducer. It consists of a precision Star Bridge and a two position rotary switch which allows the Star Bridge to switch to either the calibration Mode or the Run Mode.



The Model 7927 Shunt Calibration Reference can be used free of any mechanical support with the interconnect cable or it can be mounted behind a console panel if the panel is modified as shown below.



SPECIFICATIONS:

Zero Balance	±0.03% of F.S.
Span	±0.01% of F.S.
Repeatability	<0.01% of F.S.
Temperature Range	+70°F to +125°F
Temperature Effect on Zero & Span	0.0001%/°F
Bridge Resistance	
Excitation	700 Ohms nominal
Signal	350 Ohms nominal
Switch	Two Position (Run or Cal)

Lebow® Products Inc.
 1728 Maplelawn Road • P.O. Box 1089
 Troy, Michigan 48084-1089 USA

800 803-1164

Phone: +1 248 643-0220

Fax: +1 248 643-0259

Email: sales@lebow.com

Visit our web site!! www.lebow.com