

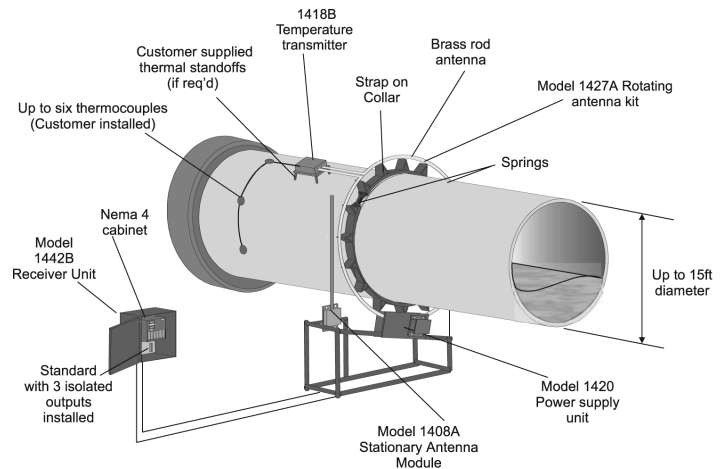
Model 1400B

Kiln Temperature Monitoring System

DESCRIPTION

The Model 1400B digital temperature monitoring system is ideal for use with large lime recovery, cement and alumina kilns as well as industrial dryers and incinerators for hazardous waste disposal. It is designed to provide internal temperature data that can be vital in a variety of applications. The 1400B features a digital transmitter mounted on the exterior of the rotating surface to constantly monitor and transmit data from thermocouples mounted inside the kiln. The system uses inductive power so that temperatures can be obtained continuously from rotating equipment without the use of wires or batteries.

Model 1400B system is composed of Model 1418B transmitter, 1442B receiver, 1420A power supply, 1427A rotating antenna, and 1408 stationary antenna.



FEATURES

- **Accurate** - Thermocouples provide direct internal temperature readings from process materials inside the kiln. Typically ± 1.7 C over the measurement range for a Type K thermocouple.
- **Telemetry-based** - Non-contact technology transmits thermocouple data to a receiver. There, it is converted to voltage or current signals. The system is not effected by hand-held communication transmitters.
- **Reliable** - The 1400B uses digitally coded telemetry transmissions that have high signal-to-noise ratios compared to analog methods. Only valid data is accepted and processed.
- **Rugged** - System unaffected by the electrical noise of other equipment. Enclosures are all water and dust tight (NEMA 4). The system operates reliably in the harsh, hot industrial environments of kongs, dryers, and incinerators.
- **Field proven** - A third generation design built on years of experience. It is the only reliable method for obtaining accurate internal temperature measurements from difficult-to-access center locations away from either end of the kiln.

Warranty. Honeywell warrants goods of its manufacture as being free of defective materials and faulty workmanship. Honeywell's standard product warranty applies unless agreed to otherwise by Honeywell in writing; please refer to your order acknowledgement or consult your local sales office for specific warranty details. If warranted goods are returned to Honeywell during the period of coverage, Honeywell will repair or replace, at its option, without charge those items it finds defective. **The foregoing is buyer's sole remedy and is in lieu of all warranties, expressed or implied, including those of merchantability and fitness for a particular purpose. In no event shall Honeywell be liable for consequential, special, or indirect damages.**

While we provide application assistance personally, through our literature and the Honeywell web site, it is up to the customer to determine the suitability of the product in the application.

Specifications may change without notice. The information we supply is believed to be accurate and reliable as of this printing. However, we assume no responsibility for its use.

For more information about Sensing and Control products, visit www.honeywell.com/sensing or call +1-815-235-6847

Email inquiries to info.sc@honeywell.com

⚠ WARNING
PERSONAL INJURY

- DO NOT USE these products as safety or emergency stop devices or in any other application where failure of the product could result in personal injury.

Failure to comply with these instructions could result in death or serious injury.

⚠ WARNING
MISUSE OF DOCUMENTATION

- The information presented in this catalogue is for reference only. DO NOT USE this document as product installation information.
- Complete installation, operation and maintenance information is provided in the instructions supplied with each product.

Failure to comply with these instructions could result in death or serious injury.