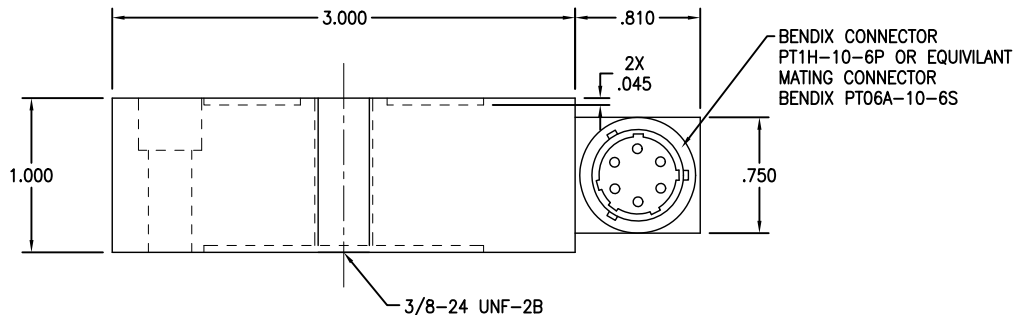
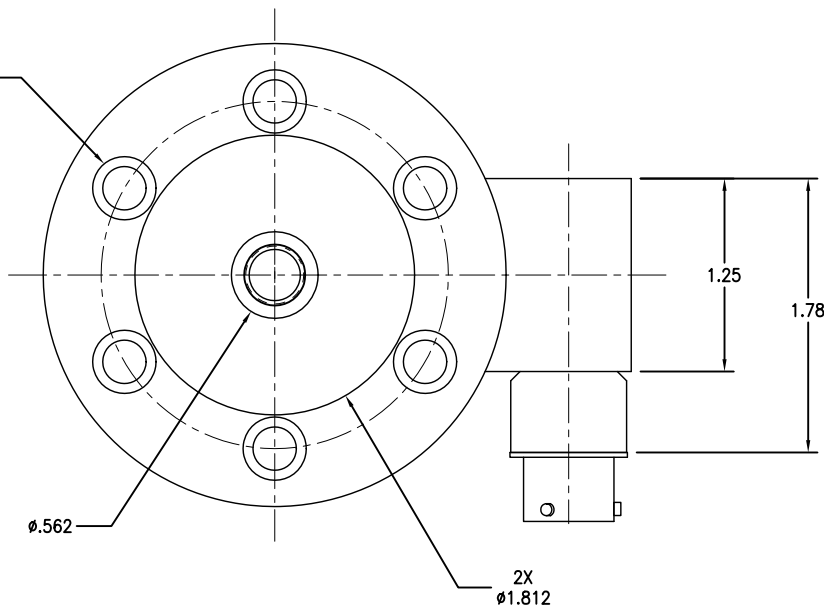


HONEYWELL  
PART NUMBER

-

REV	DOCUMENT	CHANGED BY	CHECK
D	0042004	JDS 09/21/2009	SDG

6X  
MOUNTING HOLES  
EQUALLY SPACED ON  
Ø2.250 B.C.  
CLEARANCE FOR Ø.25  
SOCKET HEAD SCREW



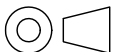
UNAMPLIFIED

PIN	DESIGNATION
A	(+) EXCITATION
B	(+) EXCITATION
C	(-) EXCITATION
D	(-) EXCITATION
E	(-) OUTPUT
F	(+) OUTPUT

DESIGN UNITS: INCH  
TOLERANCES UNLESS NOTED:

NO PLACES	X	±	-
ONE PLACE	.X	±	.1
TWO PLACE	.XX	±	.01
THREE PLACE	.XXX	±	.005
ANGLES	X	±	.5°

THIRD ANGLE PROJECTION



DRAWN J SAUBER 09/21/2009

CHECK S. GREGORY 09/21/2009

THIS DRAWING COVERS A PROPRIETARY ITEM AND IS THE PROPERTY OF HONEYWELL. THIS DRAWING IS NOT TO BE COPIED OR USED WITHOUT THE PERMISSION OF HONEYWELL.

INTERPRET PER ASME Y14.5M-1994  
OTHER HONEYWELL ENGINEERING STANDARDS MAY APPLY

AUTOCAD

**Honeywell**

TITLE ODD, MODEL 41 LOAD CELL  
50 LB THRU 1250 LB, STD. PROD.

SIZE	TYPE	CAGE CODE	DRAWING NAME	REV
A	E	51518	000-0181-00	D

SCALE - SHEET 1 OF 1