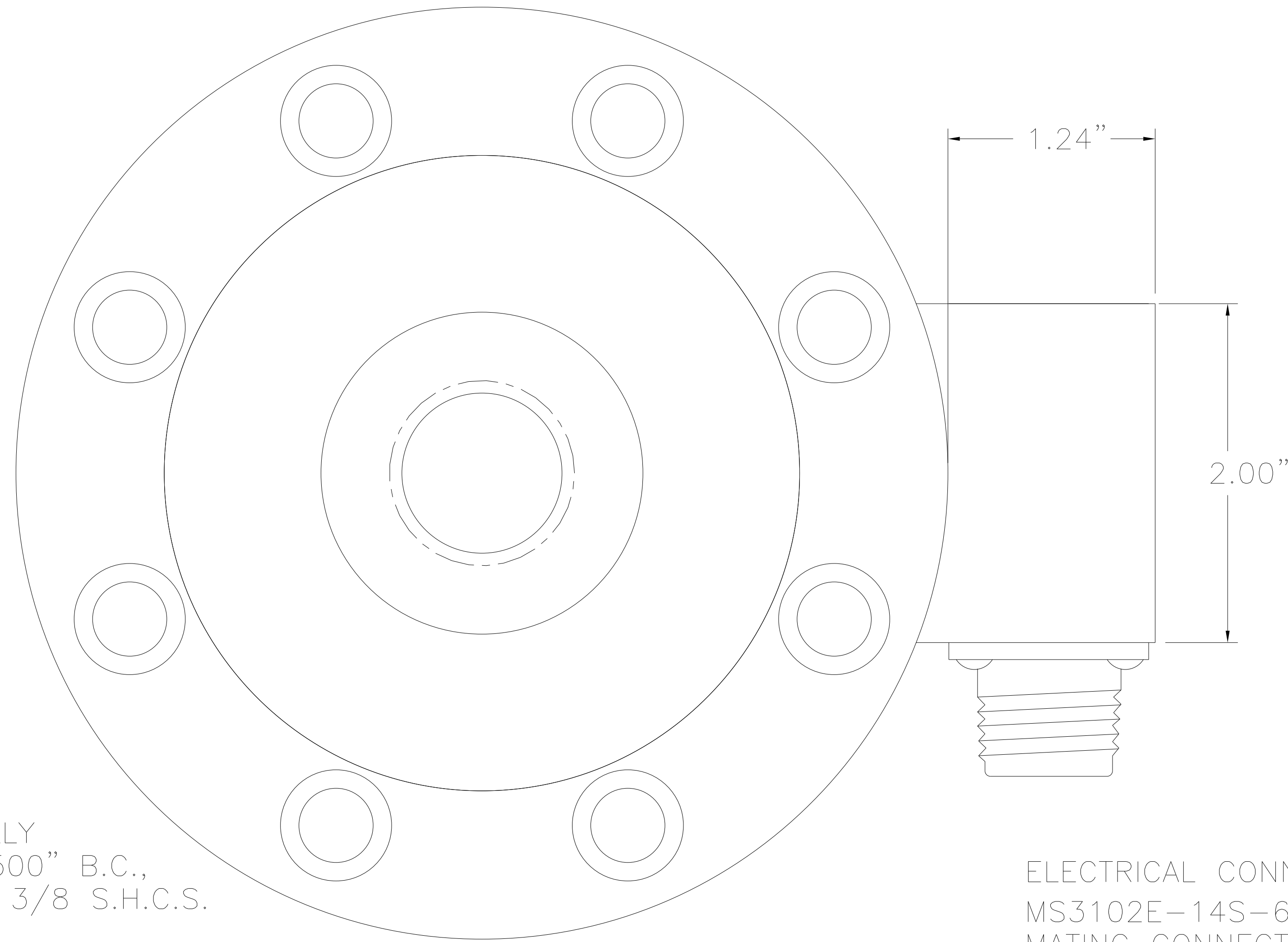


000-0473-00



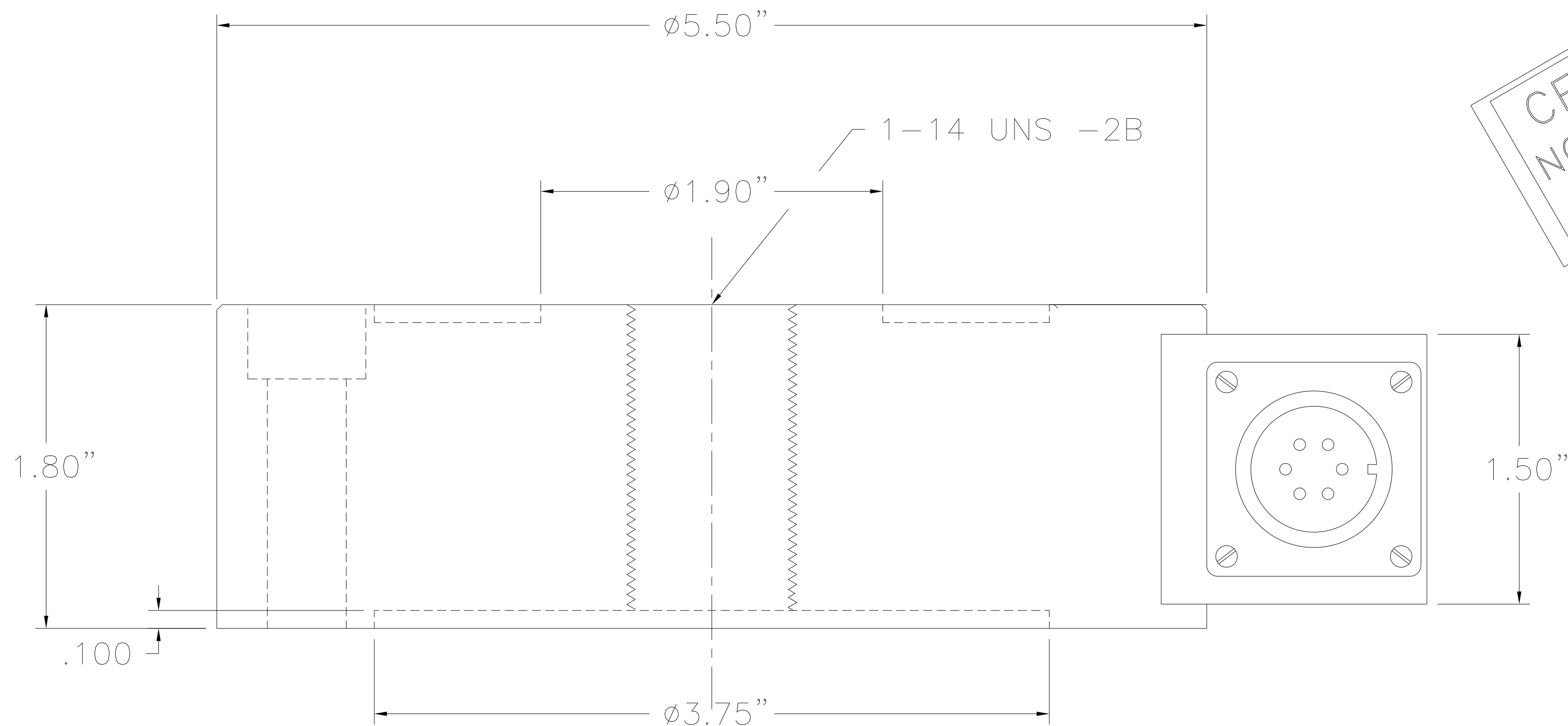
8 HOLES, EQUALLY
SPACED ON $\phi 4.500$ " B.C.,
CLEARANCE FOR 3/8 S.H.C.S.

AVAILABLE CAPACITY: 7,500, 10,000, 15,000 LBS
 OUTPUT: 3 mv/v
 POSITIVE IN TENSION
 ZERO BAL: $\pm 1\%$ F.S.
 LINEARITY: 0.1% F.S.
 HYSTERESIS: 0.08% F.S.
 SPAN T.C.: .002% Rdg./ $^{\circ}$ F
 ZERO T.C.: .002% F.S./ $^{\circ}$ F
 BRIDGE RESISTANCE: 350 Ω
 EXCITATION: 10 VDC
 MATERIAL: 17-4 P.H.
 STAINLESS STEEL

ELECTRICAL CONNECTOR
 MS3102E-14S-6P
 MATING CONNECTOR
 MS3106A-14S-6S

**CERTIFIED DRAWING
 NO CHANGES PERMITTED
 WITHOUT AUTHORITY**

WIRING CODE
 6 pin conn., no amp.
 A&B +EXCITATION
 C&D -EXCITATION
 E -OUTPUT
 F +OUTPUT



B	REVISED PER ECN # 4152	REDRAW	12FEB93 JJB	RJG
REV	DESCRIPTION		REVISED BY	APPROV. RELEASE
SCALE: NONE	DRAWN 3/31/76	CHECKED:	APPROVED: RJG 2/93	

SENSOTEC INC.	
1200 CHESAPEAKE AVE. COLUMBUS, OHIO 43212	
.XX $\pm .01$	OUTLINE DRAWING for MODEL 41 LOAD CELL
.XXX $\pm .005$	63
$\pm 1/2$	SHEET 1 OF 1
DOCUMENT NUMBER 000-0473-00	