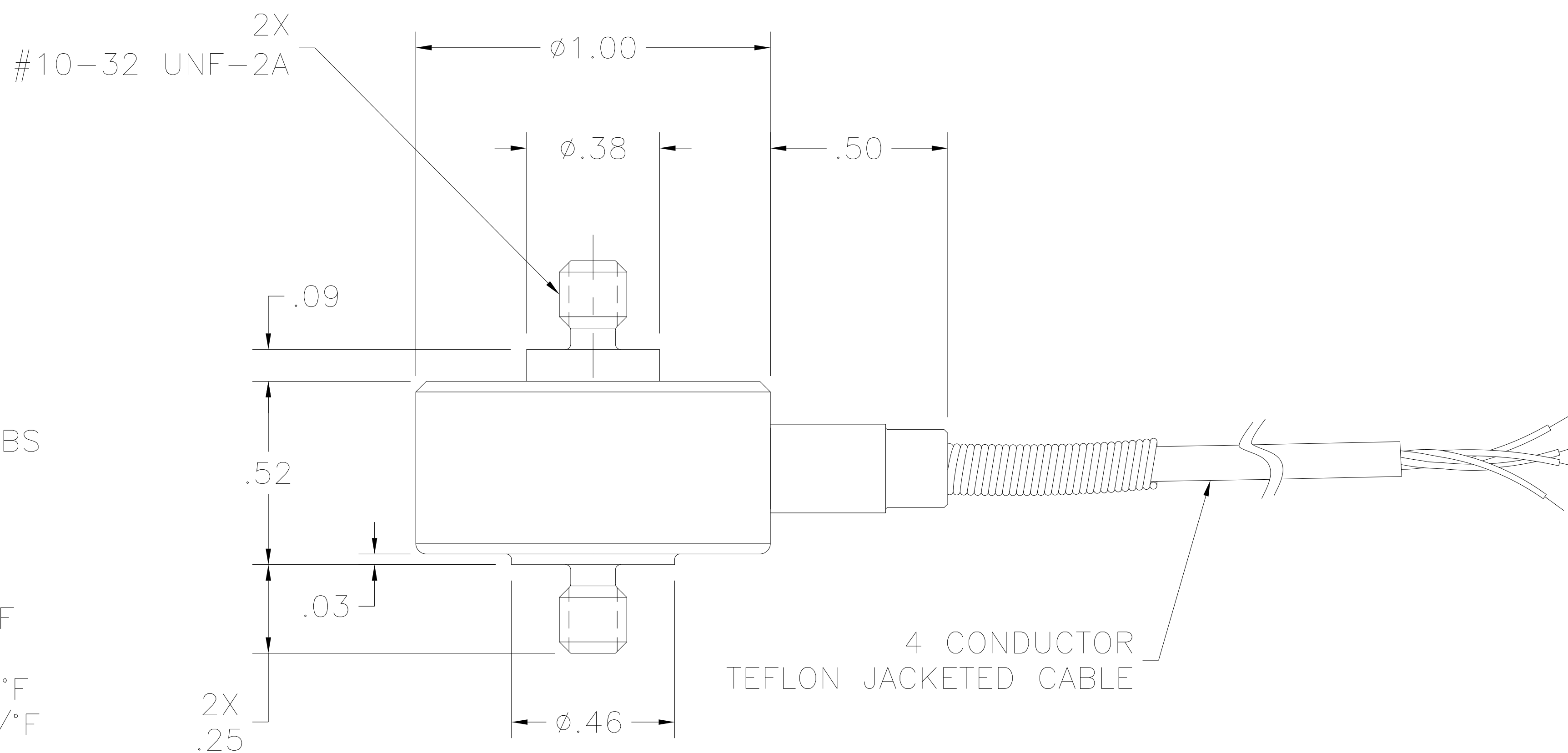


WIRING CODE

COLOR	DESIGNATION
RED	(+)EXCITATION
BLACK	(-)EXCITATION
GREEN	(-)OUTPUT
WHITE	(+)OUTPUT



SPECIFICATIONS

AVAILABLE RANGES:	25 TO 100 LBS
SUPPLY:	10 VDC
OUTPUT:	2 mV/V
NONLINEARITY:	± .15% F.S.
HYSTERESIS:	± .15% F.S.
COMPENSATED TEMPERATURE:	60°F TO 160°F
TEMPERATURE EFFECT:	
ZERO:	±.005% F.S./°F
SPAN:	±.005% Rdg./°F
BRIDGE RESISTANCE:	350 ohms
CASE MATERIAL:	17-4 PH SS

-	INITIAL RELEASE TO PRODUCTION	-	-
REV	DESCRIPTION	REVISED BY	APPROVED BY
DRW: JWD 1/24/02	CHK: RAF 01/30/02	MFG:	ENG: BDR 01/28/02
SCALE: NONE	<p><b>SENSOTEC INC.</b>                  2080 ARLINGATE LANE, COLUMBUS, OHIO 43228                  © SENSOTEC, INC. ALL RIGHTS RESERVED</p>		
.X ±.1			
.XX ±.01			
.XXX	OUTLINE DWG, MODEL 31,060-1430 SERIES 1.00" OD, 10-32 UNF-2A		
REV ECN	±.005	63	DOCUMENT NUMBER
USED ON	±1/2"	SHEET 1 OF 1	000-1462-00