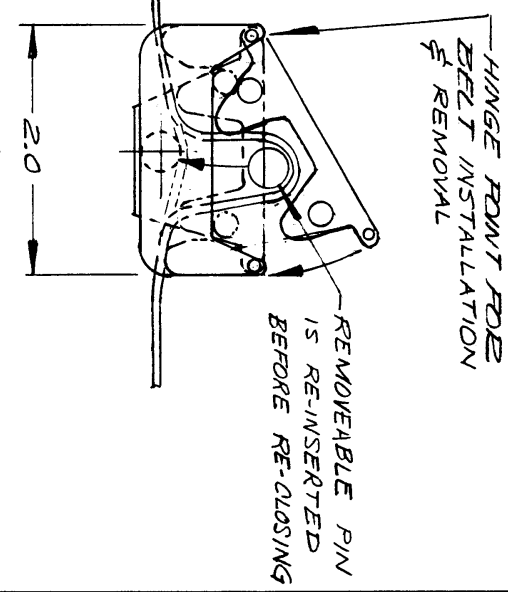
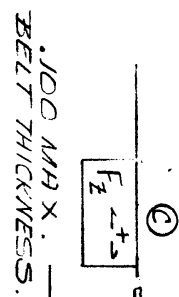


SPECIFIC CAPTIONS ① 5-3419
 CAPACITY $\pm \frac{1}{2}$ + 3500 LBS.
 OUTPUT @ CAP _____ 20 MV/VOLT NOM.
 WEIGHT _____ 8 1/4 OZ.



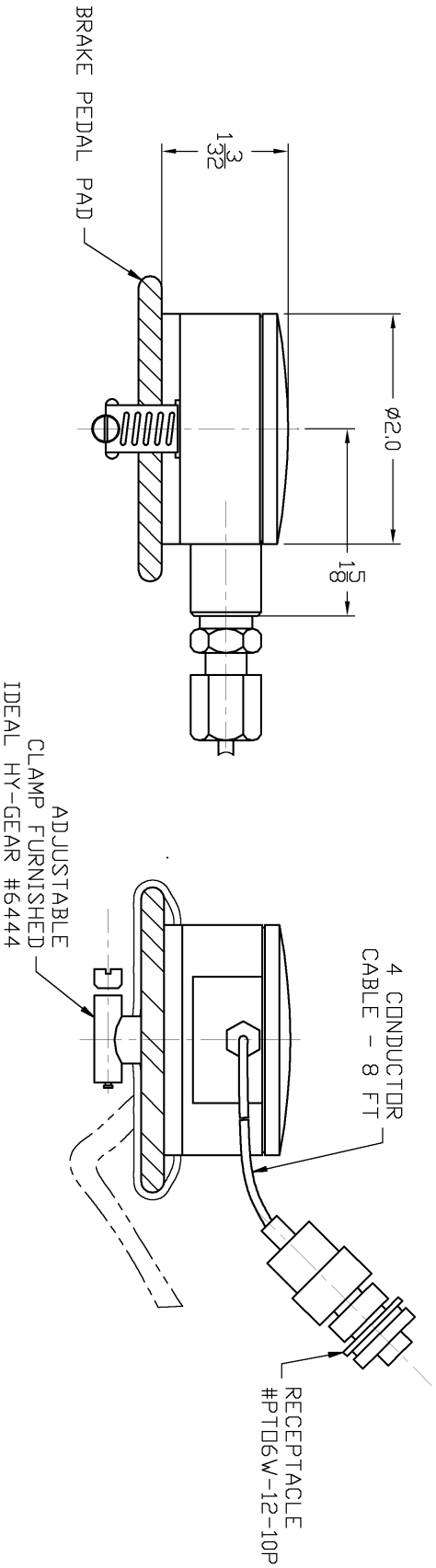
B-3419-D

SCANNED
 JUN 25 1998

E	ADDED CABLE CLAMP & SHARPENED TRIMMING BIT	3/19/74			
D	Added Bear Spec.	3-14-70			
C	ECN 2455 HD	7-80			
B	ECN 2091	4-22-72			
A	ADD NOTE ADD WEIGHT	5/4/72			
-	REL TO REV 00	3/5/72			

DET. NO.	PART NO.	DESCRIPTION	RECD.
		INSTALLATION DWG x SEAT BELT LOAD CELL	
SCALE: 1/4" = 1"	DRAWN BY: B	REF. DWG: B-3419	
DATE: 3-15-72	CHK'D BY: B	MODEL: B-142	
UNLESS OTHERWISE SPECIFIED:			
TOLERANCE ON FRACTIONS ± 1/64		TOLERANCE ON DRILLED HOLES ± .007	
TWO PLACE DECIMALS ± .010		REMOVE ALL BURRS & SHARP EDGES	
THREE PLACE DECIMALS ± .005		DIMENSION LIMITS HELD AFTER PLATING	
ANGLES ± 0.30°		SURFACE FINISH 125	
LEBOW ASSOCIATES, INC. TROY, MICHIGAN			DRAWING NO. B-3419-D

DD NOT SCALE DRAWING	B-3663-D	REV.
ALL CHANGES TO DRAWING MUST BE DONE ON CAD		THIRD ANGLE PROJECTION



DET. NO.	PART NO.	DESCRIPTION	RECD.
		Lebow Products Troy, Michigan	
<p>Lebow Products</p> <p>UNLESS OTHERWISE SPECIFIED LINEAR DIMENSIONS ARE IN INCHES ANGULAR DIMENSIONS ARE IN DEGREES DIMENSION LIMITS HELD AFTER PLATING</p> <p>REMOVE ALL BURS & SHARP EDGES SURFACE FINISH 125</p>			
TOLERANCES			
DRILLED HOLES	TWO PLACE DECIMALS ± .007	THREE PLACE DECIMALS ± .005	ANGLES ± 0° 30'
FULL	REF. DIMS ± .010	FRACTIONAL DIMENSIONS ± 1/64	MAT'L ~
TITLE:	BRAKE PEDAL FORCE SENSOR D.D.		DRAWING NO. B-3663-D
SCALE:	4:007		
REV.	DATE	CHK'D BY	ENGR.
L	16/05/03	SALLY	
SYM.	REVISIONS	DATE	
	REDRAW ON CAD		
	DATE		