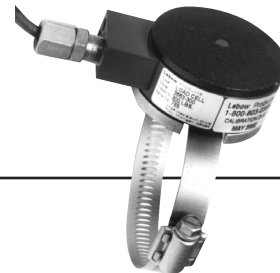


## Model 3663

### Pedal Pressure Load Cell

---



#### DESCRIPTION

The pedal pressure sensor mounts directly to the brake pedal with its own mounting clamp. Load applied up to 1/2 inch off center, produces less than a 0.5% error. Standard capacity is 300 lbs. This load cell, which is used for brake pedal

force measurements by the automotive industry, finds many production applications. It adapts to any of the pedal or bar operated devices used in all production facilities.

#### FEATURES

- 50 lb, 100 lb, 200 lb, and 300 lb load capacity
- Low off-center loading error
- Easy mounting
- Rugged load surface
- Integral cable
- Compact size

# Model 3663

## PERFORMANCE SPECIFICATIONS

Characteristic	Measure
Load range	50, 100, 200, 300 lb
Non-linearity	±0.25 % of rated output
Hysteresis	±0.1 % of rated output
Repeatability	±0.1 % of rated output
Output @ rated capacity	2 mV/V (nominal)
Operation	Tension/compression
Resolution	Infinite
Standard calibration	Tension (+) and compression (-)

## ENVIRONMENTAL SPECIFICATIONS

Characteristic	Measure
Temperature, operating	-54 °C to 93 °C [-65 °F to 200 °F]
Temperature, compensated	21 °C to 77 °C [70 °F to 170 °F]
Temperature effect, zero	±0.003 % of rated output/°F
Temperature effect, output	±0.003 % of reading/°F

## ELECTRICAL SPECIFICATIONS

Characteristic	Measure
Strain gage type	Foil
Excitation (maximum)	20 Vdc or Vac RMS
Insulation resistance	> 5000 mOhm @ 50 Vdc
Bridge resistance (tolerance)	350 ohm
Zero balance	±2.0 %
Electrical termination	PT06W-12-10P

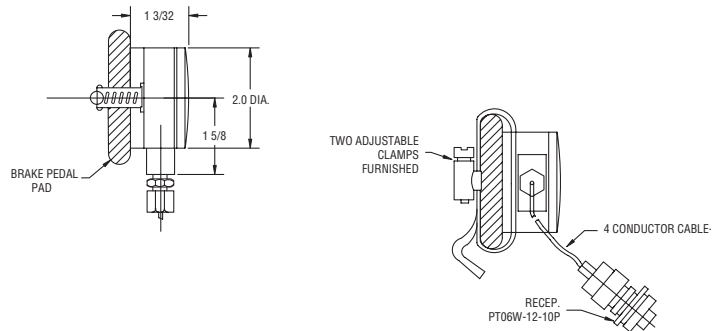
## MECHANICAL SPECIFICATIONS

Characteristic	Measure
Static overload capacity	150 % of nominal capacity
Safe overload rating	150 % of nominal capacity

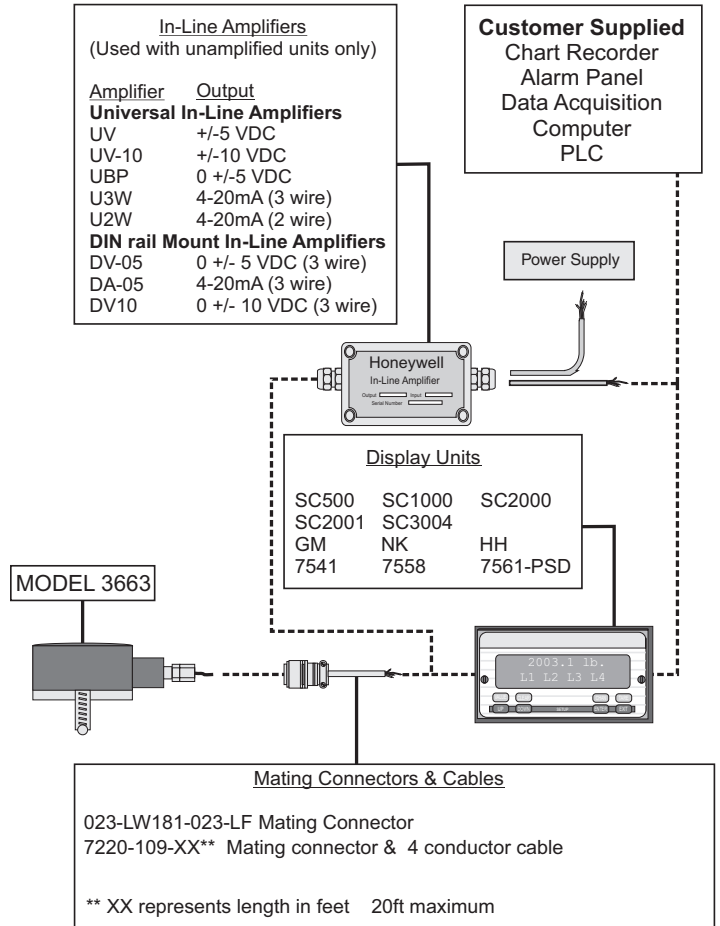
## RANGE CODES

Range Codes	Range
BN	50 lb
BR	100 lb
CL	200 lb
CP	300 lb

## MOUNTING DIMENSIONS



## TYPICAL SYSTEM DIAGRAM



**Warranty.** Honeywell warrants goods of its manufacture as being free of defective materials and faulty workmanship. Honeywell's standard product warranty applies unless agreed to otherwise by Honeywell in writing; please refer to your order acknowledgement or consult your local sales office for specific warranty details. If warranted goods are returned to Honeywell during the period of coverage, Honeywell will repair or replace, at its option, without charge those items it finds defective. **The foregoing is buyer's sole remedy and is in lieu of all warranties, expressed or implied, including those of merchantability and fitness for a particular purpose. In no event shall Honeywell be liable for consequential, special, or indirect damages.**

While we provide application assistance personally, through our literature and the Honeywell web site, it is up to the customer to determine the suitability of the product in the application.

Specifications may change without notice. The information we supply is believed to be accurate and reliable as of this printing. However, we assume no responsibility for its use.

For more information about Sensing and Control products, visit [www.honeywell.com/sensing](http://www.honeywell.com/sensing) or call +1-815-235-6847

Email inquiries to [info.sc@honeywell.com](mailto:info.sc@honeywell.com)

 **WARNING**  
**PERSONAL INJURY**

- DO NOT USE these products as safety or emergency stop devices or in any other application where failure of the product could result in personal injury.

**Failure to comply with these instructions could result in death or serious injury.**

 **WARNING**  
**MISUSE OF DOCUMENTATION**

- The information presented in this catalogue is for reference only. DO NOT USE this document as product installation information.
- Complete installation, operation and maintenance information is provided in the instructions supplied with each product.

**Failure to comply with these instructions could result in death or serious injury.**