

## Model LC

---

### Digital Force Indicator



Model LC shown with optional handle.

#### DESCRIPTION

The Model LC digital force indicator is a highly portable force measurement device. With its 9 V battery supply and compact size the indicator can easily be carried to remote locations to perform force measurement calibrations. The unit can measure compression forces up to 50,000 lbs.

The peak capture feature allows the highest force reading taken to be displayed with the push of a button. The remote location of the load sensor minimizes the chance of damage to the electronic body of the gauge. The stainless steel construction of the sensor and the indicator makes them often resistant to the occasional mishandling than can occur in the field. Optional handles are available for the load cell and gauge.

#### FEATURES

- Ranges to 50000 lb
- Compression measurement
- High/low force capture
- Zero offset/tare
- NIST traceable
- Customer recalibration
- Optional handles and panel mounting ring
- Optional carrying case
- Optional NEMA 4 rating
- Selectable engineering units

Each unit has a membrane face with raised buttons and tactile feedback for setup and operation. The high, low, and clear buttons are easily accessible on this front membrane. Zero adjustment and zero offset/tare functions are standard on each unit. Calibration and setup parameters are stored on a memory chip to protect from loss even when power is interrupted. Unauthorized set ups and calibrations are also blocked with internal security. Various combinations of the front panel buttons can be de-activated.

# Model LC

## PERFORMANCE SPECIFICATIONS

Characteristic	Measure
Repeatability	0.2 % of full scale
Range	5 lb to 50000 lb
High and low capture	Standard
Update speed	3 per sec (selectable to 10 per sec)

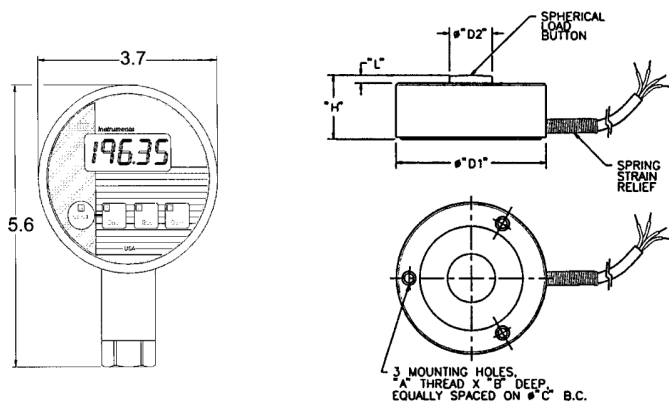
## ELECTRICAL SPECIFICATIONS

Characteristic	Measure
Power	9 V battery, 11 Vdc to 32 Vdc, 100 Vac

## MECHANICAL SPECIFICATIONS

Characteristic	Measure
Diameter	93.98 mm [3.7 in]
Display	4½ digits
Case material	Stainless steel
Cell materials	Stainless steel
Zero/span adjustment	Standard
Low battery indication	Standard
Face membrane	Tactile feedback
Calibration data	Stored on memory chip

## MOUNTING DIMENSIONS



Ranges	D1"	D2"	H"	L"	A"	B"	C"
5, 10, 25, 50, 100 lbs.	1.00	.21	.62	.05	#4-40 UNC	.22	.75
250, 500, 1000, 2000 lbs.	1.25	.32	.39	.07	#6-32 UNC	.25	1.00
3000, 4000, 5000, 7500, 10,000 lbs.	1.50	.43	.63	.08	#6-32 UNC	.25	1.25
15,000, 20,000 lbs.	2.00	.60	1.00	.12	#6-32 UNC	.25	1.625

Specifications subject to change. Request certified drawing before designing mountings or fixtures.

## ADDITIONAL SPECIFICATIONS

Pressure range (psi)	Incremental display steps
0 psi to 1 psi (opt) = 1	0.001
0 psi to 5 psi (opt) = 5	0.005
0 psi to 25 psi = 25	0.005
0 psi to 50 psi = 50	0.01
0 psi to 100 psi = 100	0.02
0 psi to 250 psi = 250	0.05
0 psi to 500 psi = 500	0.1
0 psi to 1000 psi = 1K	0.2
0 psi to 2000 psi = 2K	0.5
0 psi to 3000 psi = 3K	2
0 psi to 4000 psi = 4L	2
0 psi to 5000 psi = 5K	1
0 psi to 7500 psi = 7.5K	2
0 psi to 10000 psi = 10K	2
0 psi to 15000 psi = 15K	2
0 psi to 20000 psi = 20K	2
0 psi to 30000 psi = 30K	Consult factory
0 psi to 50000 psi = 50K	Consult factory

## ACCESSORIES ORDER CODES

Order code	Accessory
CC2	Standard carrying case: 3 9/16 D x 7 13/16 W x 8 1/2 L
MR2	Panel mounting ring
NISTCERTS	NIST certification (in addition to NIST statement)
HD1	Handle

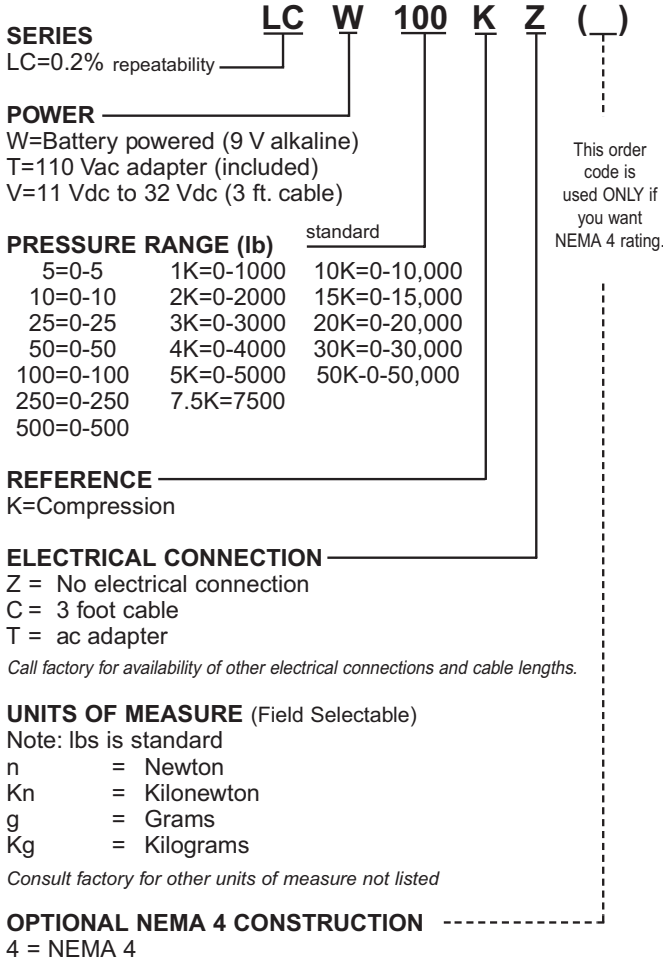
# Model LC

# Digital Force Indicator

## NOTES

1. Accuracies stated are for best fit straight line for all errors including linearity, hysteresis and repeatability through zero.
2. Consult factory for optional units of measure.
3. Consult factory for optional electrical connectors and cable lengths.

## ORDER GUIDE



**Warranty.** Honeywell warrants goods of its manufacture as being free of defective materials and faulty workmanship. Honeywell's standard product warranty applies unless agreed to otherwise by Honeywell in writing; please refer to your order acknowledgement or consult your local sales office for specific warranty details. If warranted goods are returned to Honeywell during the period of coverage, Honeywell will repair or replace, at its option, without charge those items it finds defective. **The foregoing is buyer's sole remedy and is in lieu of all warranties, expressed or implied, including those of merchantability and fitness for a particular purpose. In no event shall Honeywell be liable for consequential, special, or indirect damages.**

While we provide application assistance personally, through our literature and the Honeywell web site, it is up to the customer to determine the suitability of the product in the application.

Specifications may change without notice. The information we supply is believed to be accurate and reliable as of this printing. However, we assume no responsibility for its use.

For more information about Sensing and Control products, visit [www.honeywell.com/sensing](http://www.honeywell.com/sensing) or call +1-815-235-6847

Email inquiries to [info.sc@honeywell.com](mailto:info.sc@honeywell.com)

### **WARNING** **PERSONAL INJURY**

- DO NOT USE these products as safety or emergency stop devices or in any other application where failure of the product could result in personal injury.

**Failure to comply with these instructions could result in death or serious injury.**

### **WARNING** **MISUSE OF DOCUMENTATION**

- The information presented in this catalogue is for reference only. DO NOT USE this document as product installation information.
- Complete installation, operation and maintenance information is provided in the instructions supplied with each product.

**Failure to comply with these instructions could result in death or serious injury.**

Sensing and Control  
Automation and Control Solutions  
Honeywell  
1985 Douglas Drive North  
Golden Valley, MN 55422 USA  
+1-815-235-6847  
[www.honeywell.com/sensing](http://www.honeywell.com/sensing)

008671-1-EN IL50 GLO  
May 2008  
Copyright © 2008 Honeywell International Inc. All rights reserved.

# Honeywell