

Torque Thrust Transducers

Model 6467

008907

Issue 1

Datasheet



DESCRIPTION

Model 6467 torque thrust transducers are used in applications where the need to sense both torque and thrust parameters simultaneously. Nickel-plated, alloy steel, one-piece construction. Designed specifically to provide the strength and rigidity required to withstand extraneous loads and bending moments. Unique construction provides both maximum structure life and minimum thrust/torque crosstalk.

VALUE TO CUSTOMERS

- Capable of sensing both torque and thrust parameters simultaneously
- Independent torque and thrust connectors with output values

DIFFERENTIATION

- Unique design offers enhanced accuracy performance with minimal crosstalk error, along with ability to handle extraneous loading conditions under high-cycle fatigue test situations

FEATURES

- 2500 in-lb, 2500 lb
- 2500 in-lb, 5000 lb
- 5000 in-lb, 10,000 lb
- 0.15 % non-linearity and hysteresis
- Minimized crosstalk
- Extraneous load resistance
- Single piece construction
- Fatigue rated

POTENTIAL APPLICATIONS

Industrial

- Material test machines
- Durability testing
- Structural/integrity testing
- Fatigue/endurance testing
- Metrology lab
- R&D center

PORTFOLIO

The Model 6467 is part of a family of torque thrust transducers that includes [Models 6459 and 6467-6470](#).

Model 6467 Torque Thrust Transducer

Table 1. Performance Specifications

Characteristic	Measure
Torque-thrust range	2500 in-lb, 2500 lb
	2500 in-lb, 5000 lb
	5000 in-lb, 10,000 lb
Non-linearity	±0.15 % of rated output
Hysteresis	±0.15 % of rated output
Repeatability	±0.1 % of rated output
Output @ rated capacity	±1.5 mV/V (nominal) (Both components)

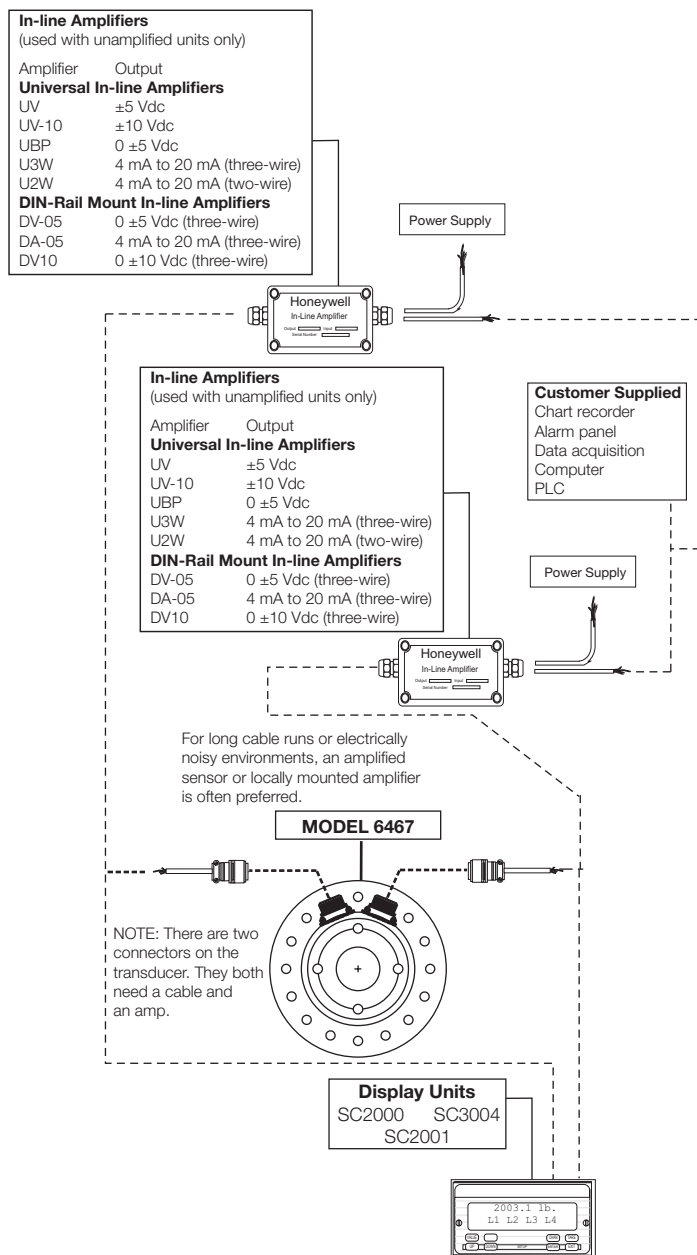
Table 2. Environmental Specifications

Characteristic	Measure
Temperature, operating	-54 °C to 93 °C [-65 °F to 200 °F]
Temperature, compensated	21 °C to 77 °C [70 °F to 170 °F]
Temperature effect, zero	±0.002 % of rated output/°F
Temperature effect, output	±0.002 % of reading/°F

Table 3. Electrical Specifications

Characteristic	Measure
Excitation (maximum)	20 Vdc or Vac RMS
Insulation resistance	> 5000 mOhm @ 50 Vdc
Bridge resistance	700 ohm (nominal)
Zero balance	±1 % of rated output
Static overload capacity	150 % of rated capacity

Figure 1. Typical System Diagram



Mating Connectors and Cables

- 064-LW13621 Mating connector
- 7200-76-XX* Mating connector and six-conductor cable (unamplified unit with sense leads, but not shunt cal)
- 7200-75-XX** Mating connector and four-conductor cable (unamplified unit without sense leads, but not shunt cal)
- 7200-111-XX* Mating connector and six-conductor cable (for connection to instrument 7541)
- 7200-110-XX** Mating connector and four-conductor cable (for connection to instrument 7541)

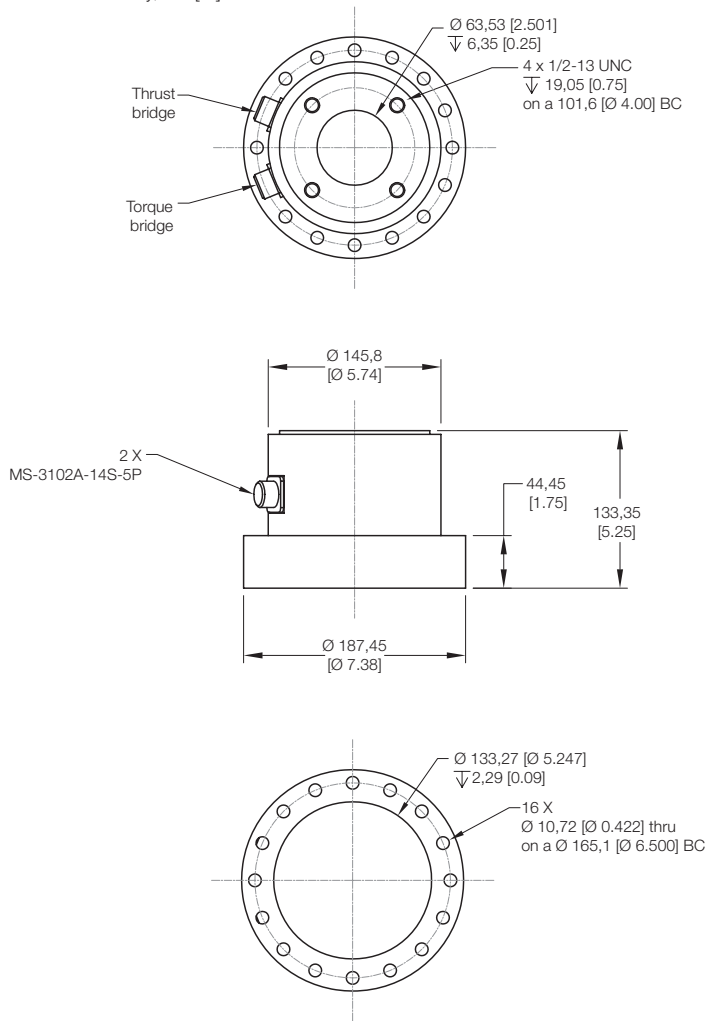
* XX represents length in feet, 100 ft maximum

** XX represents length in feet, 20 ft maximum

Model 6467 Torque Thrust Transducer

Figure 2. Mounting Dimensions

For reference only, mm[in]



ADDITIONAL MATERIALS

The following associated literature is available on the Honeywell web site at sensing.honeywell.com:

- [Torque transducer range guide](#)
- [White Paper: New Ways To Measure Torque](#)

WARNING **PERSONAL INJURY**

DO NOT USE these products as safety or emergency stop devices or in any other application where failure of the product could result in personal injury.

Failure to comply with these instructions could result in death or serious injury.

WARNING **MISUSE OF DOCUMENTATION**

- The information presented in this product sheet is for reference only. Do not use this document as a product installation guide.
- Complete installation, operation, and maintenance information is provided in the instructions supplied with each product.

Failure to comply with these instructions could result in death or serious injury.

Find out more

Honeywell serves its customers through a worldwide network of sales offices, representatives and distributors. For application assistance, current specifications, pricing or name of the nearest Authorized Distributor, contact your local sales office. To learn more about Honeywell's test and measurement products, call **+1-614-850-5000**, visit **<http://measurementsensors.honeywell.com>**, or e-mail inquiries to **info.tm@honeywell.com**

Warranty/Remedy

Honeywell warrants goods of its manufacture as being free of defective materials and faulty workmanship. Honeywell's standard product warranty applies unless agreed to otherwise by Honeywell in writing; please refer to your order acknowledgement or consult your local sales office for specific warranty details. If warranted goods are returned to Honeywell during the period of coverage, Honeywell will repair or replace, at its option, without charge those items it finds defective. **The foregoing is buyer's sole remedy and is in lieu of all other warranties, expressed or implied, including those of merchantability and fitness for a particular purpose. In no event shall Honeywell be liable for consequential, special, or indirect damages.**

While we provide application assistance personally, through our literature and the Honeywell web site, it is up to the customer to determine the suitability of the product in the application.

Specifications may change without notice. The information we supply is believed to be accurate and reliable as of this printing. However, we assume no responsibility for its use.

Sensing and Productivity Solutions
Honeywell
1985 Douglas Drive North
Golden Valley, MN 55422
honeywell.com

008907-1-EN IL50 GLO
September 2015
© 2015 Honeywell International Inc. All rights reserved.

Honeywell